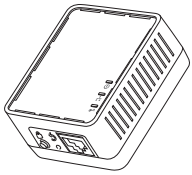


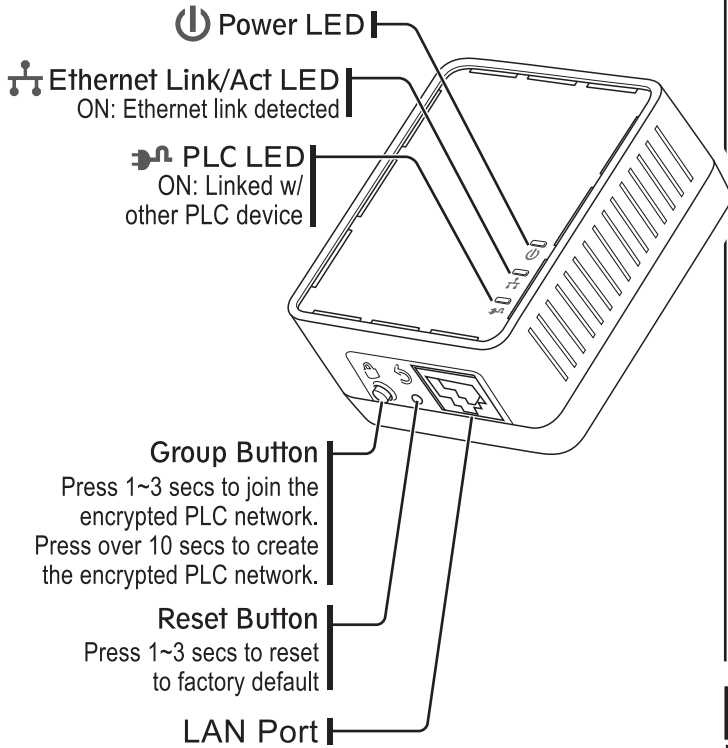
500 Mbps Powerline Ethernet Bridge



BVP-5100D

QUICK INSTALLATION GUIDE

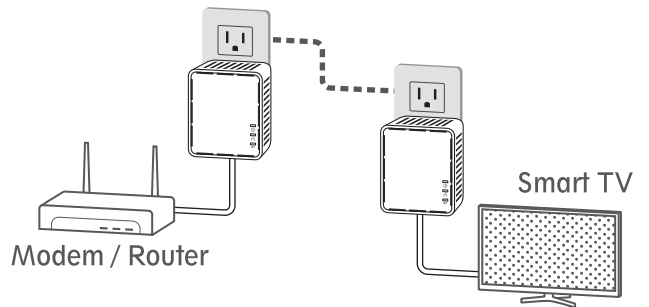
LEDs LIGHT INDICATOR DEFINITION



ESTABLISH POWERLINE NETWORK

Step 1

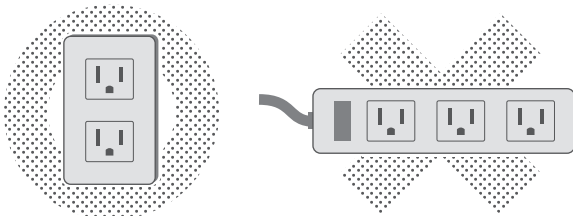
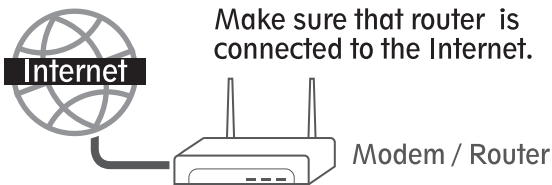
Plug the PLC adapter into AC outlet and connect to router or broadband modem with an Ethernet cable (provided)



Step 2

Plug another PLC adapter into AC outlet and connect it with networked device such as Blu-ray player, Gaming console, Smart TV, or Set-Top Box.

BEFORE GETTING STARTED



! Do Not plug PLC adapter onto "surge protector". PLC data transmission might be blocked.

TroubleShooting

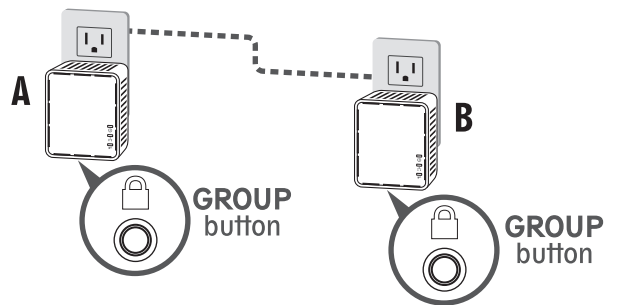
What if Powerline adapters are not connected?

Make sure PLC LED is on.

- If not, **a.** Verify that PLC adapters are plugged into a power outlet directly.
- b.** Press RESET button for 2 seconds to recovery to default settings.
- c.** Shorten the distance between PLC adapters.

CREATE AN ENCRYPTED PLC NETWORK GROUP

User can easily create an encrypted PLC network with 128-bit encryption for network security and data protection. Simply press **GROUP** button on adapters to set up hassle-free PLC encrypted network. To do so, please follow below steps!



Step 1

Press **GROUP** button on both adapters over 10 secs until LED light turns off and on at once to generate new encrypted PLC network. (PLC LED light will be off)

Step 2

Press **GROUP** button of adapter A again for 1~3 sec to start pairing procedure. (Power LED will start blinking)

Step 3

Press **GROUP** button of adapter B for 1~3 sec to start pairing procedure. (Power LED will start blinking)
Once Pairing procedure is completed, both of PLC LED light will be on.